

PROVISIONAL PARTICULARS

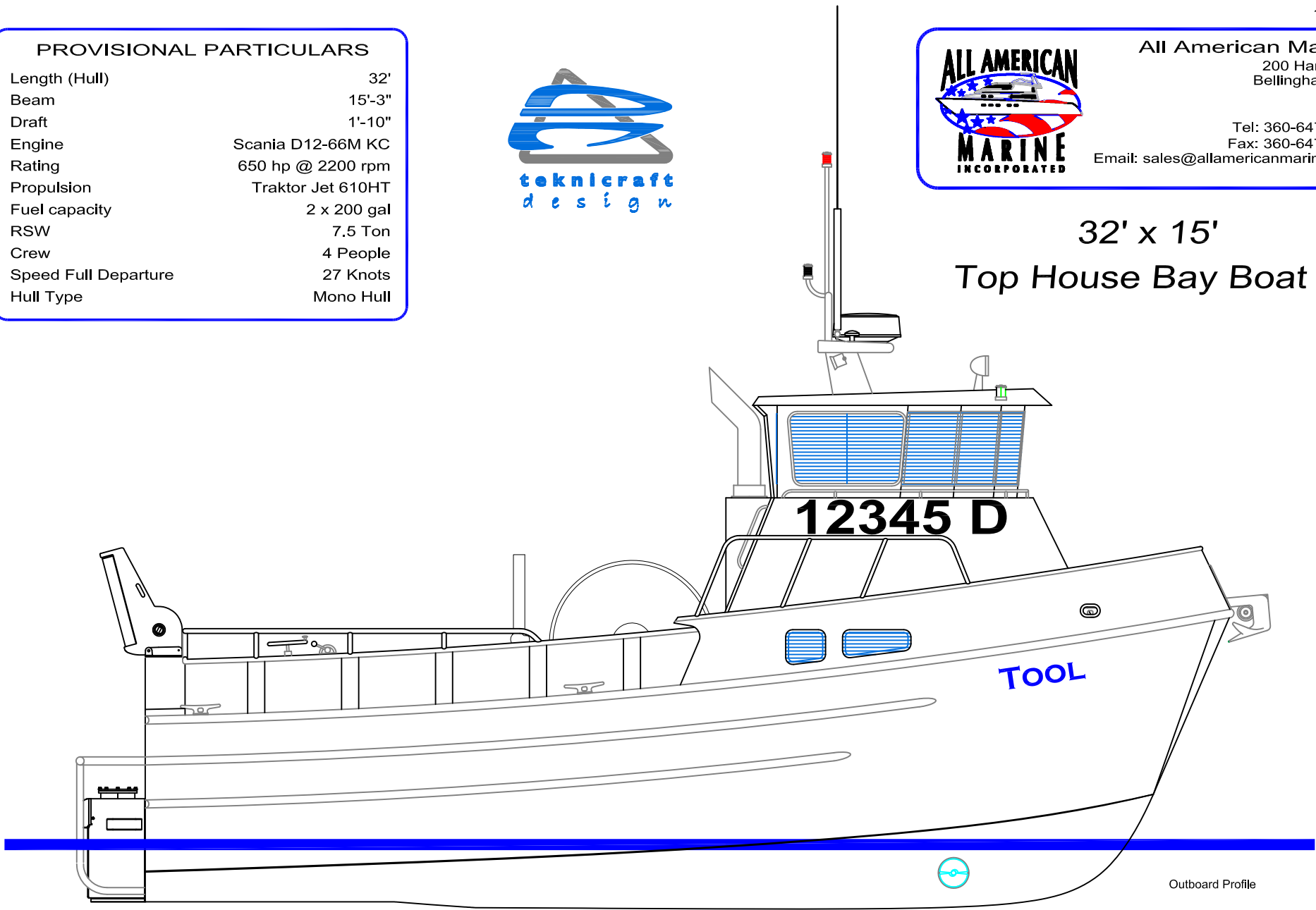
Length (Hull)	32'
Beam	15'-3"
Draft	1'-10"
Engine	Scania D12-66M KC
Rating	650 hp @ 2200 rpm
Propulsion	Traktor Jet 610HT
Fuel capacity	2 x 200 gal
RSW	7.5 Ton
Crew	4 People
Speed Full Departure	27 Knots
Hull Type	Mono Hull



All American Marine
 200 Haris Ave
 Bellingham WA
 98225

Tel: 360-647-7602
 Fax: 360-647-7607
 Email: sales@allamericanmarine.com

32' x 15'
 Top House Bay Boat



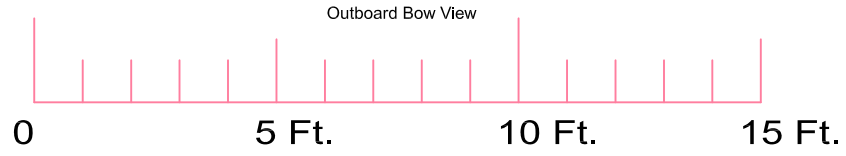
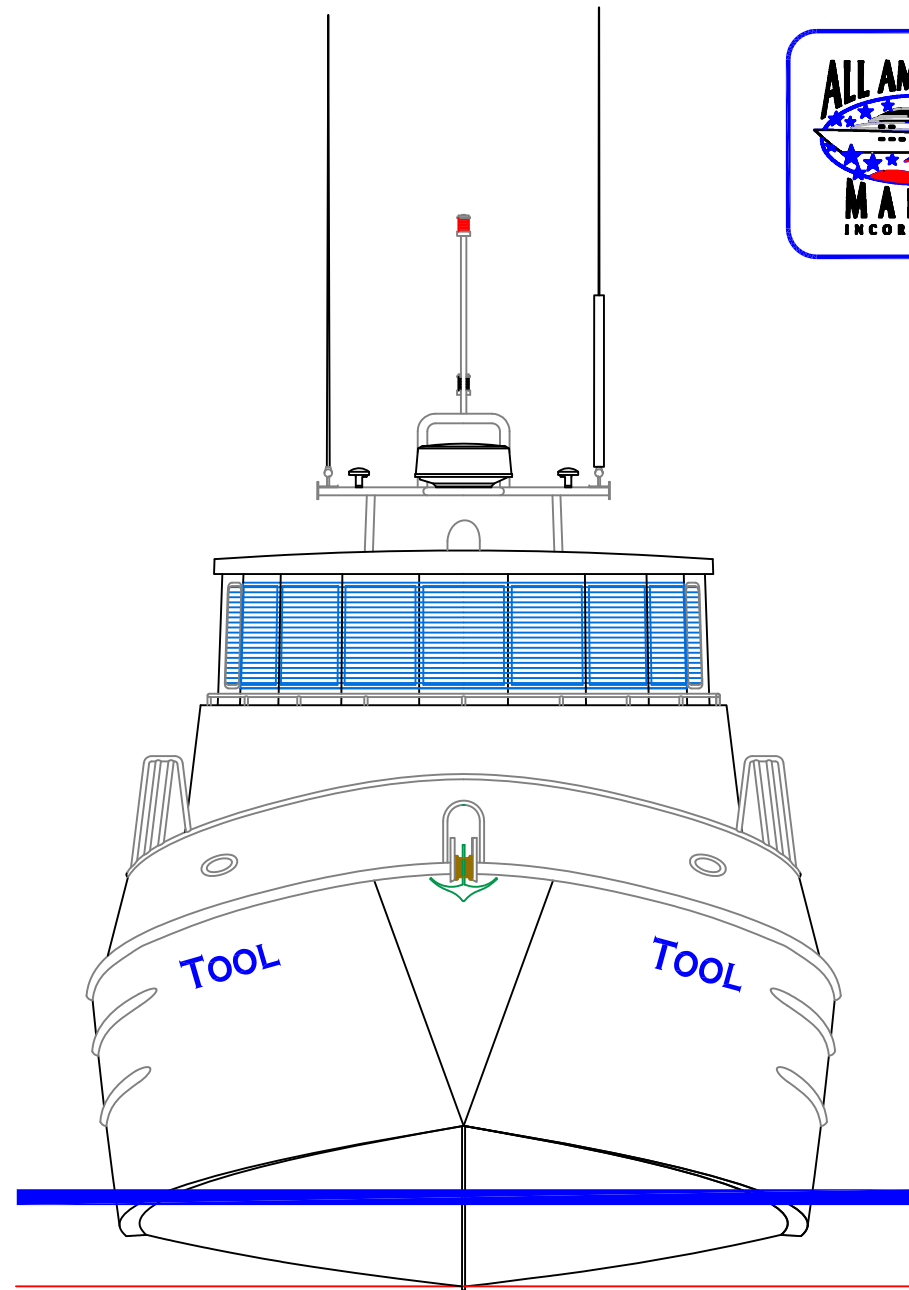
Outboard Profile



32' x 15' Top House Bay Boat



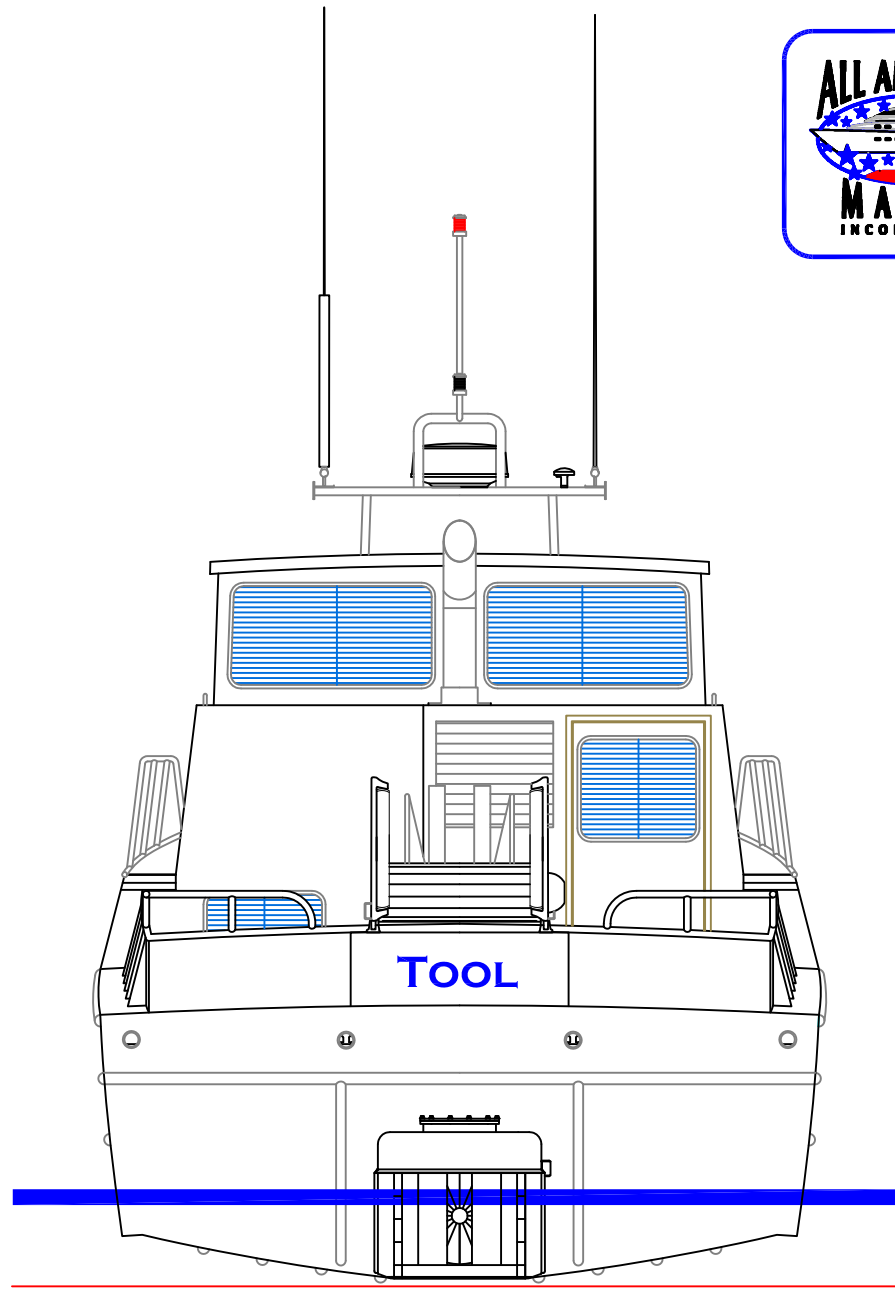
All American Marine
200 Haris Ave
Bellingham WA
98225
Tel: 360-647-7602
Fax: 360-647-7607
Email: sales@allamericanmarine.com



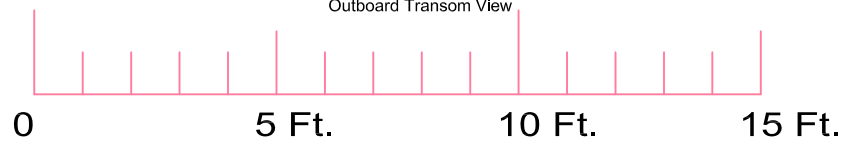
32' x 15' Top House Bay Boat



All American Marine
200 Haris Ave
Bellingham WA
98225
Tel: 360-647-7602
Fax: 360-647-7607
Email: sales@allamericanmarine.com



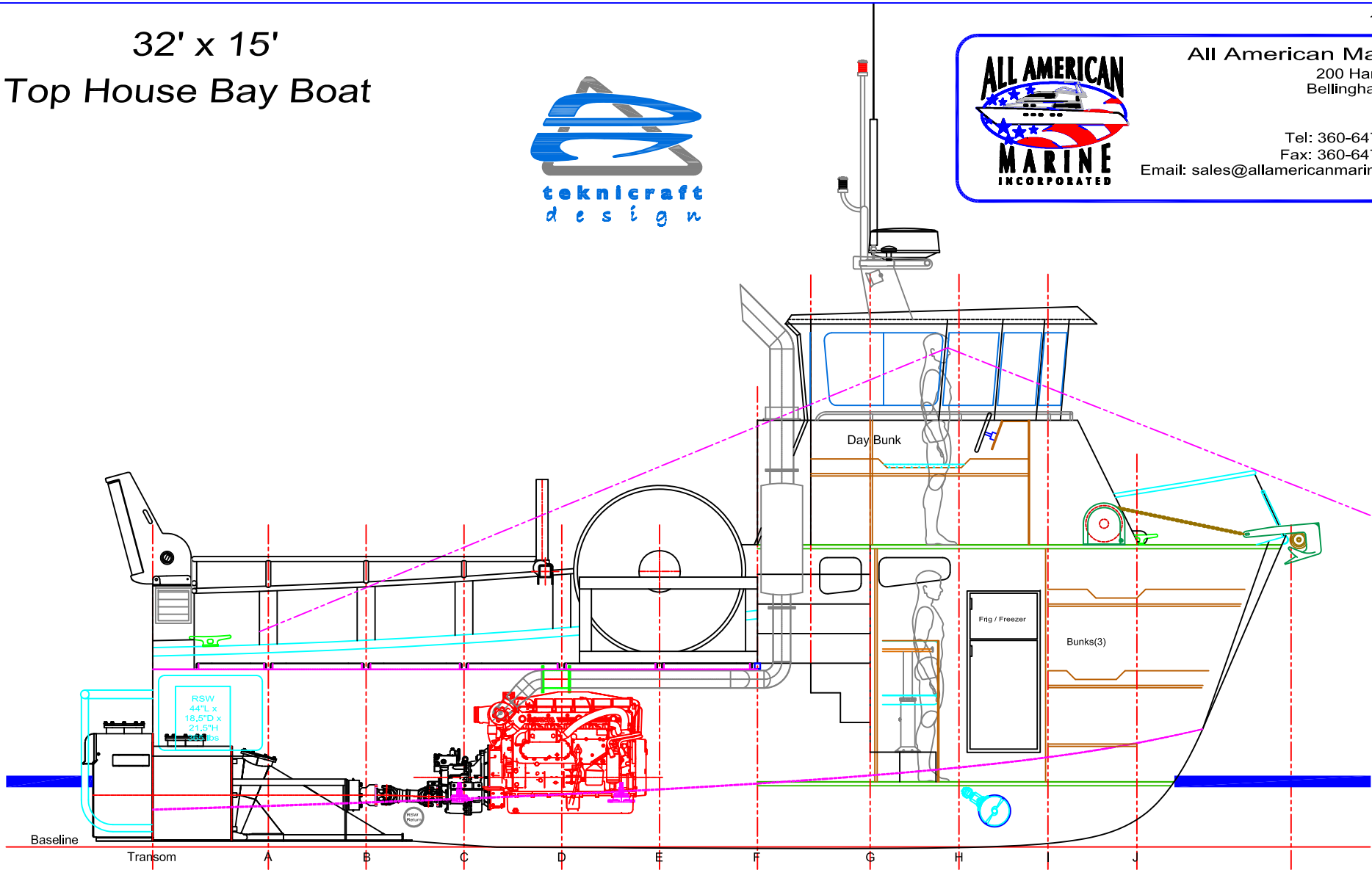
Outboard Transom View



32' x 15' Top House Bay Boat



All American Marine
200 Haris Ave
Bellingham WA
98225
Tel: 360-647-7602
Fax: 360-647-7607
Email: sales@allamericanmarine.com



Inboard Profile

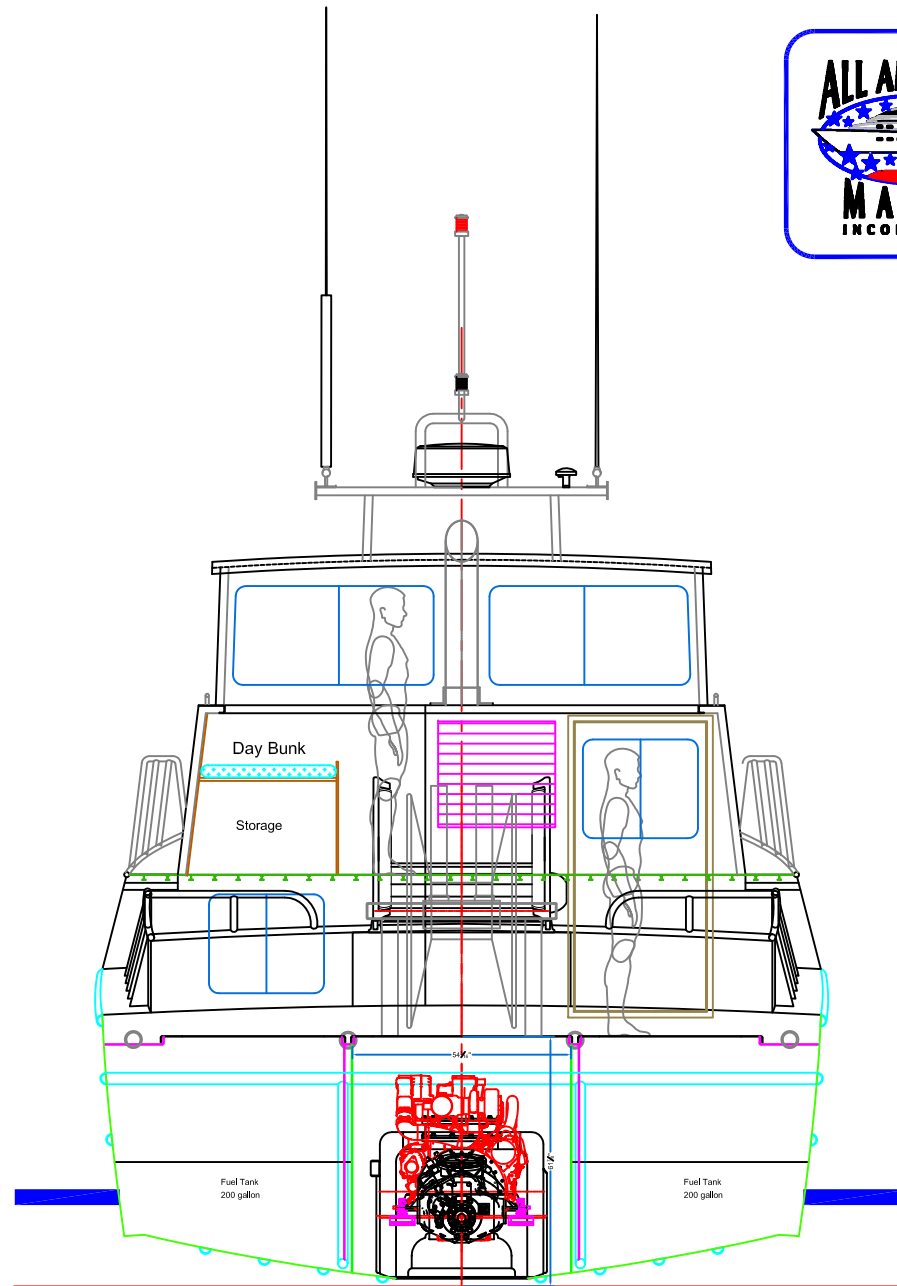
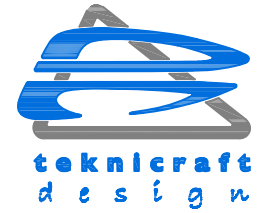


32' x 15' Top House Bay Boat

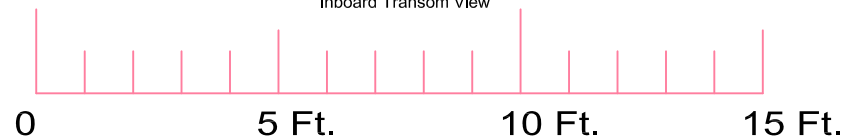


All American Marine
200 Haris Ave
Bellingham WA
98225

Tel: 360-647-7602
Fax: 360-647-7607
Email: sales@allamericanmarine.com



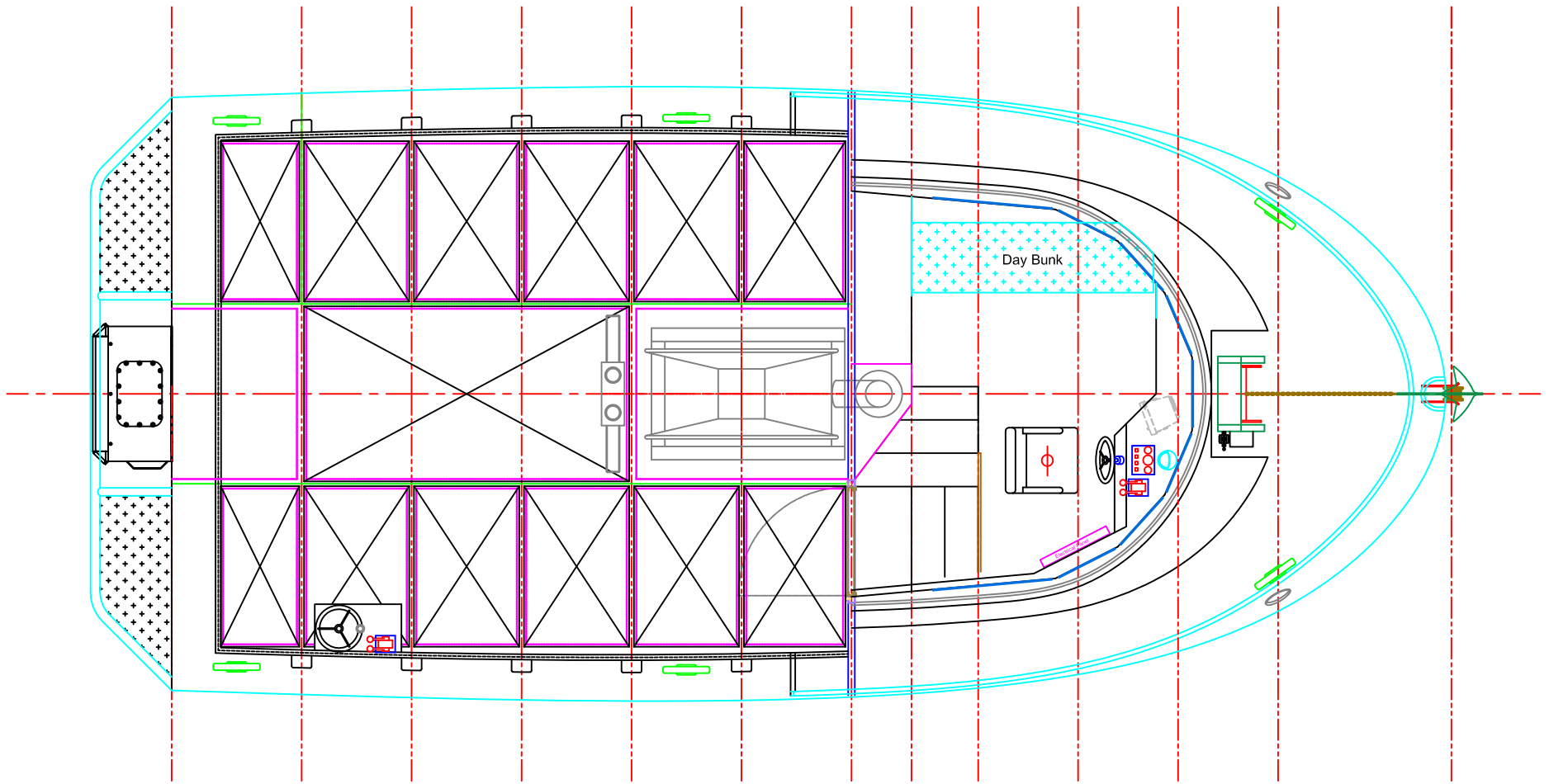
Inboard Transom View



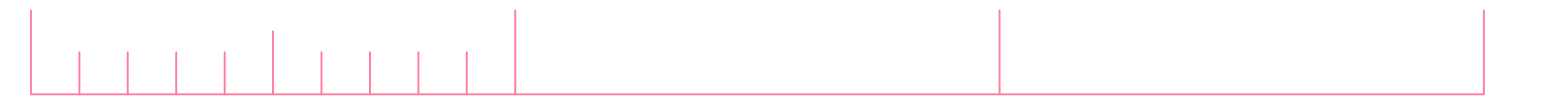
32' x 15' Top House Bay Boat



All American Marine
200 Haris Ave
Bellingham WA
98225
Tel: 360-647-7602
Fax: 360-647-7607
Email: sales@allamericanmarine.com



Pilot House Arrangement



0

10 Ft.

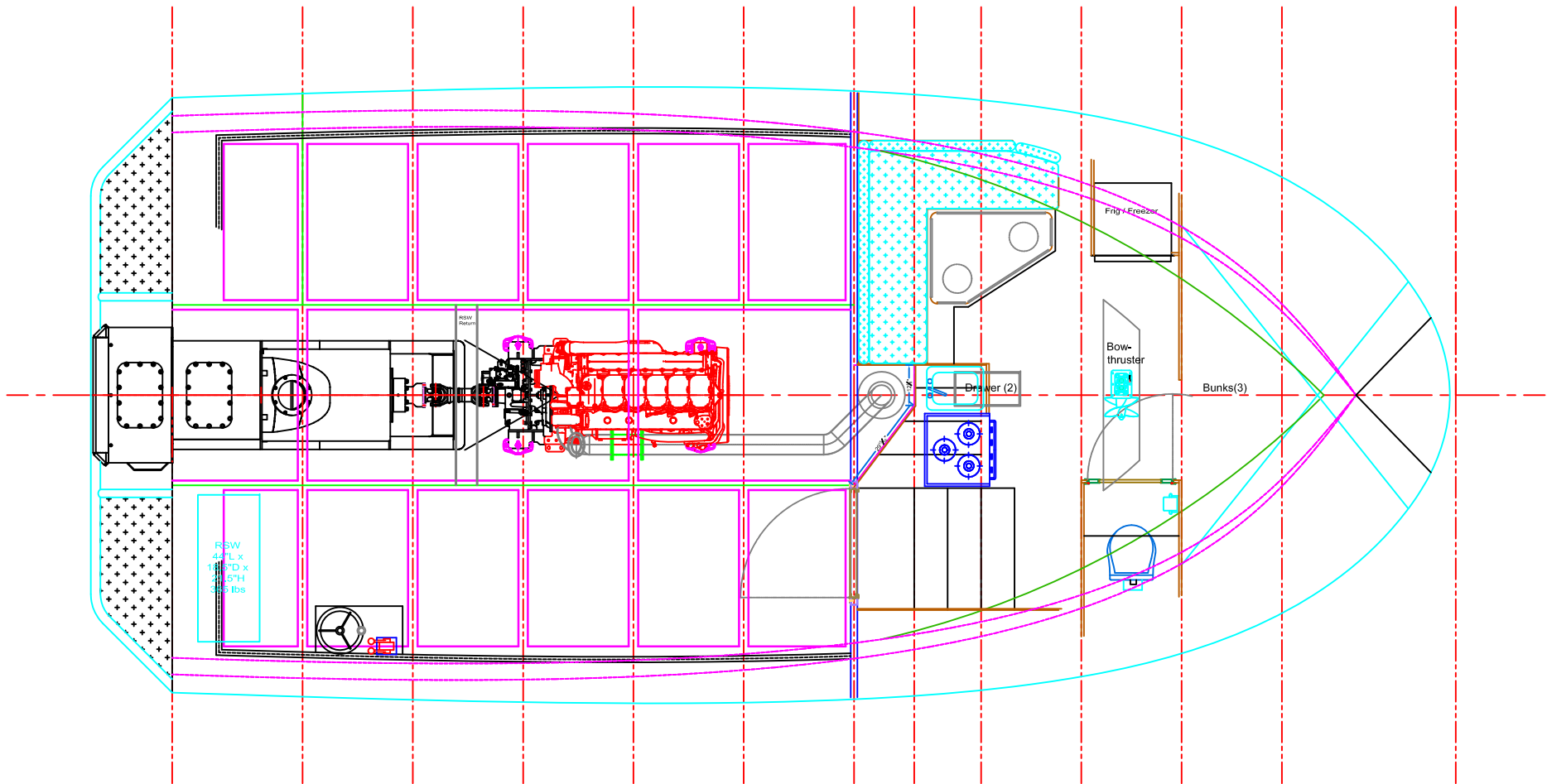
20 Ft.

30 Ft.

32' x 15' Top House Bay Boat



All American Marine
200 Haris Ave
Bellingham WA
98225
Tel: 360-647-7602
Fax: 360-647-7607
Email: sales@allamericanmarine.com



Below Deck Arrangement

